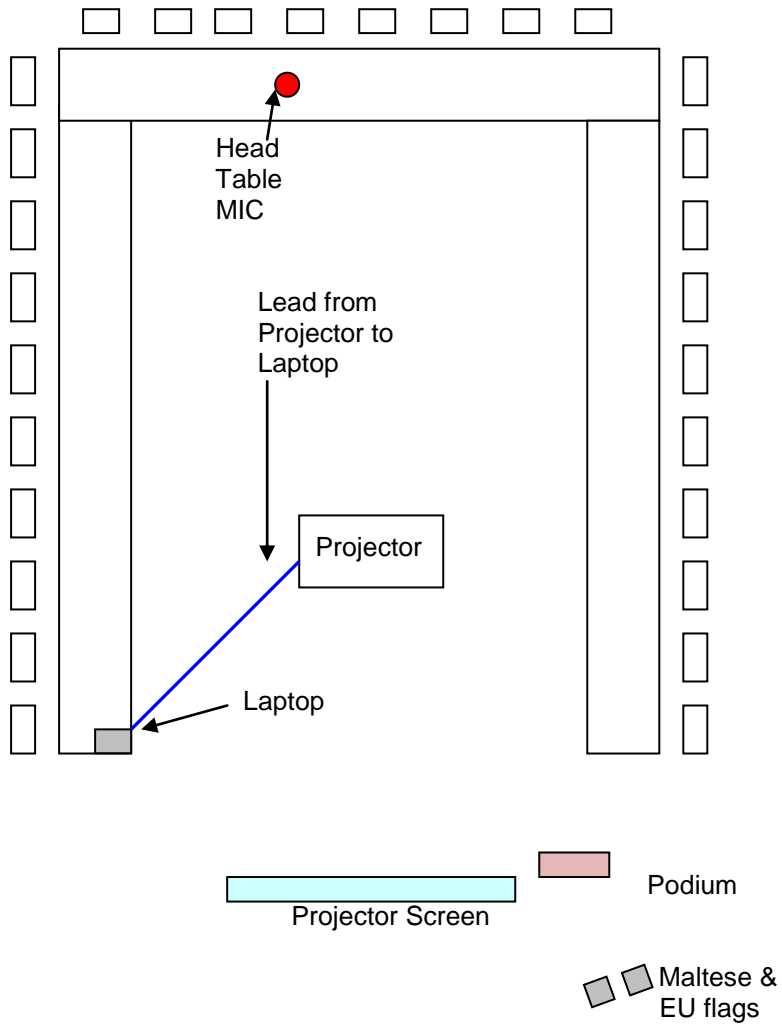


## LDS- Hall Set Up



*P.S. the number of chairs around the table is **NOT** the actual number of participants attending.*